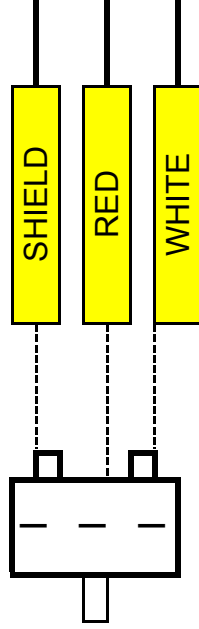
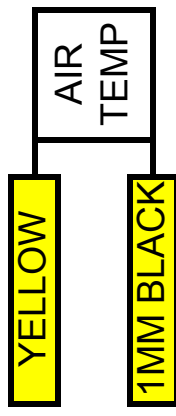
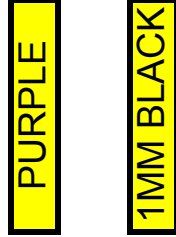
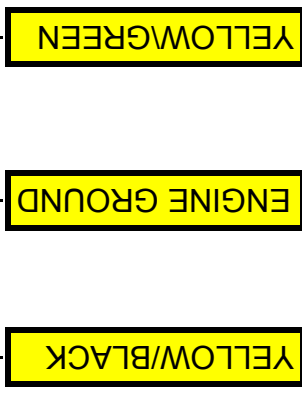
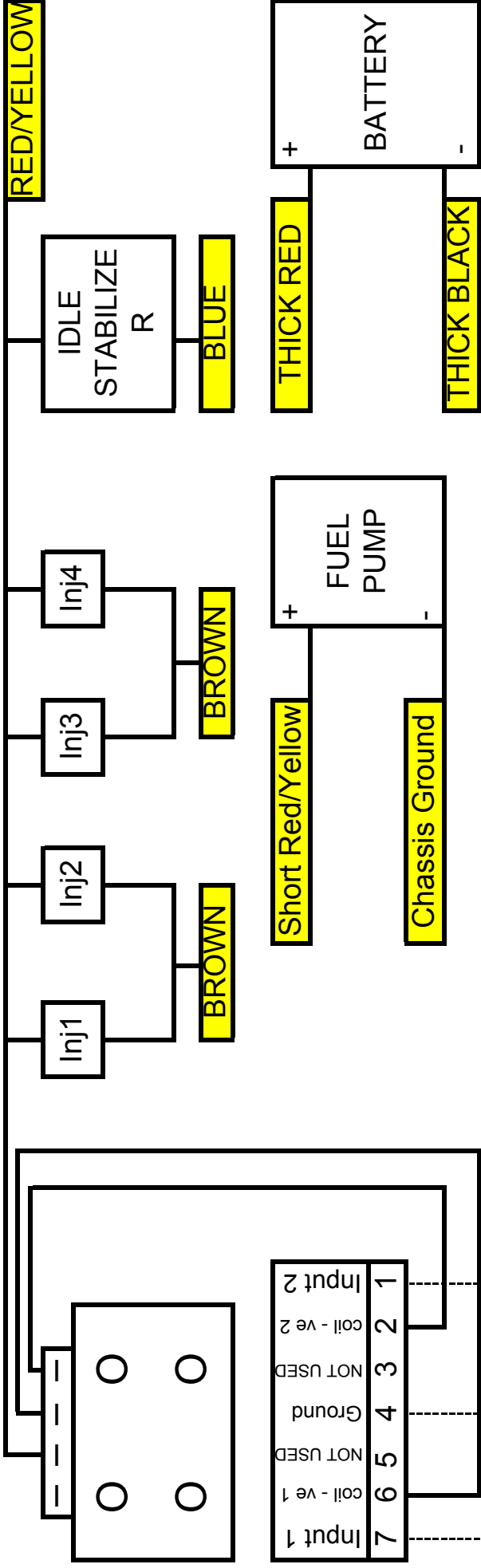


COIL PACK MUST NOT HAVE A
ALUMINUM BASE PLATE



CRANK SENSOR PLUG

